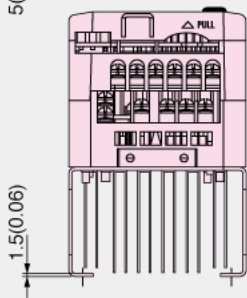
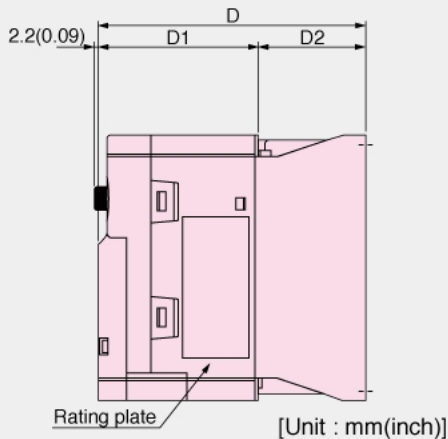
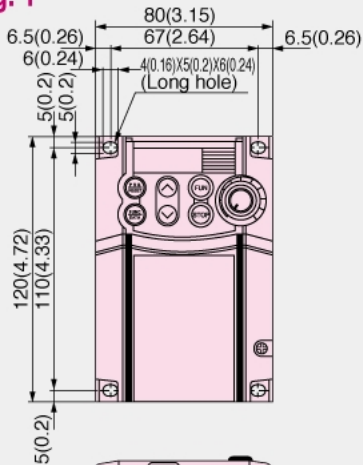
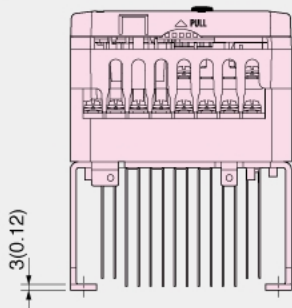
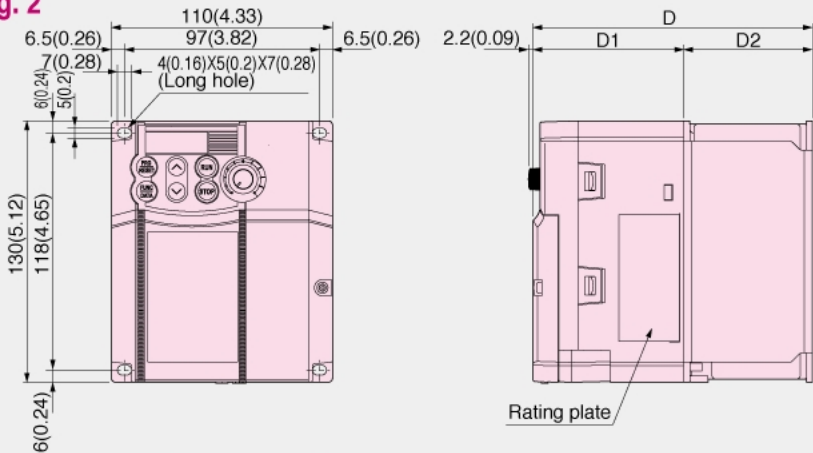


Fig. 1



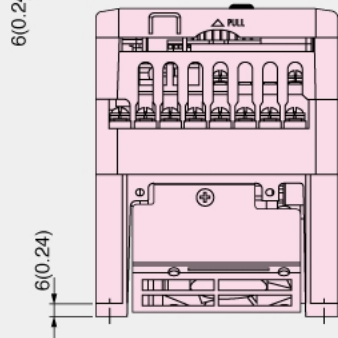
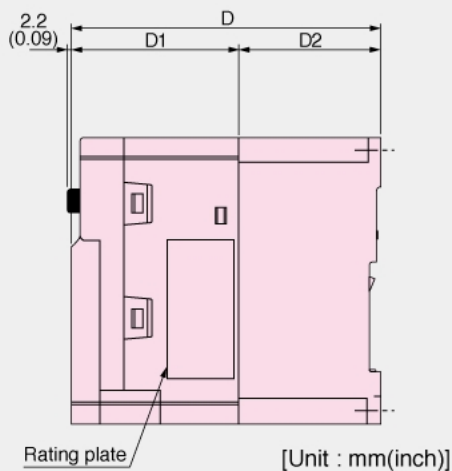
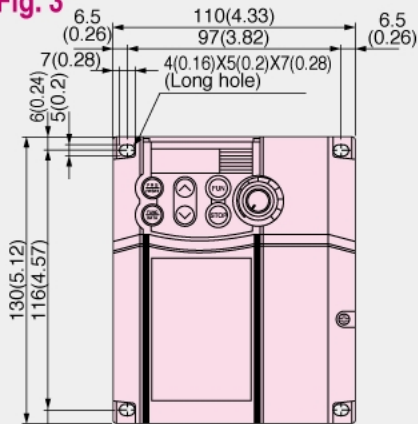
Power supply voltage	Inverter type	Dimensions (mm(inch))		
		D	D1	D2
Single-phase 200V	FRN0001C2S-7E	80(3.15)	70(2.76)	10(0.39)
	FRN0002C2S-7E			
	FRN0004C2S-7E	95(3.74)		25(0.98)
	FRN0006C2S-7E	140(5.51)	90(3.54)	50(1.97)

Fig. 2

[Unit : mm(inch)]

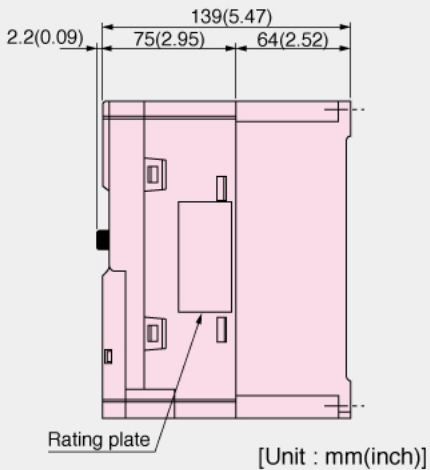
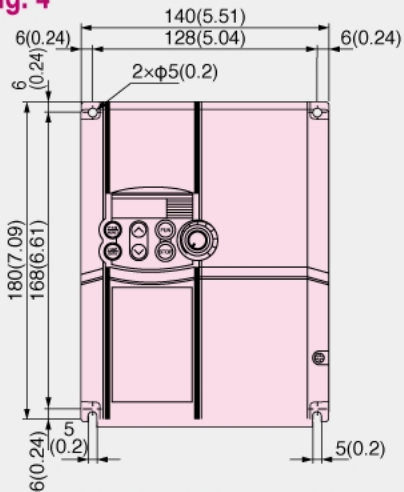
Power supply voltage	Inverter type	Dimensions (mm(inch))		
		D	D1	D2
Three-phase 400V	FRN0002C2S-4E	115(4.53)	75(2.95)	40(1.57)
	FRN0004C2S-4E	139(5.47)		64(2.52)

Fig. 3

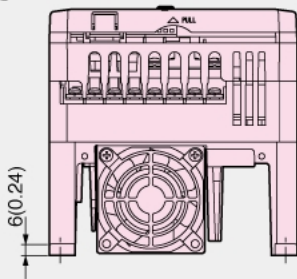


Power supply voltage	Inverter type	Dimensions (mm(inch))		
		D	D1	D2
Three-phase 400V	FRN0005C2S-4E	139(5.47)	75(2.95)	64(2.52)
	FRN0007C2S-4E			
Single-phase 200V	FRN0010C2S-7E	149(5.87)	85(3.35)	

Fig. 4

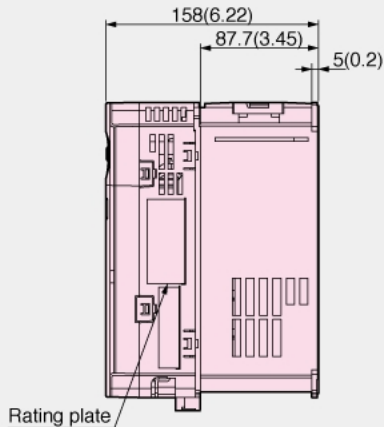
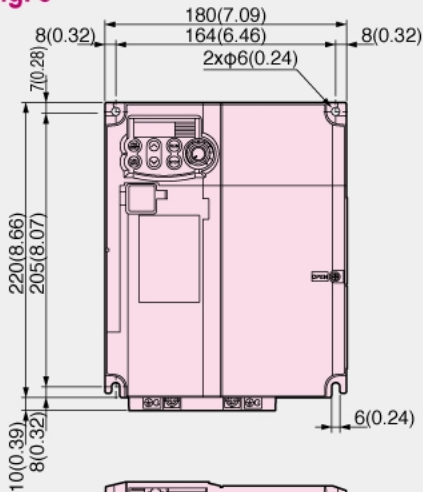


[Unit : mm(inch)]

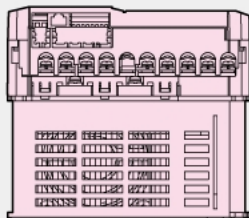


Power supply voltage	Inverter type
Three-phase 400V	FRN0011C2S-4E
Single-phase 200V	FRN0012C2S-7E

Fig. 5

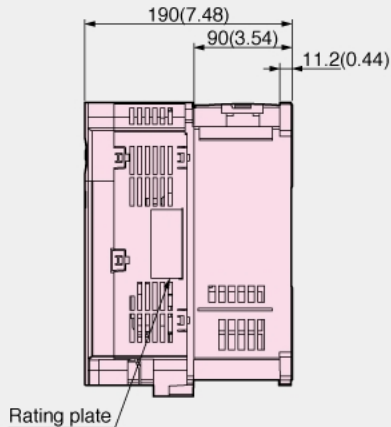
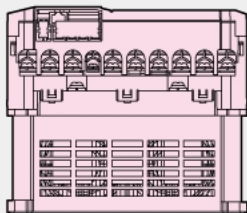
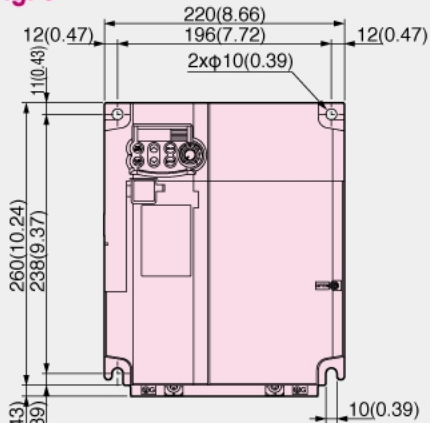


[Unit : mm(inch)]



Power supply voltage	Inverter type
Three-phase 400V	FRN0013C2S-4E
	FRN0018C2S-4E

Fig. 6



[Unit : mm(inch)]

Power supply voltage	Inverter type
Three-phase 400V	FRN0024C2S-4E
	FRN0030C2S-4E