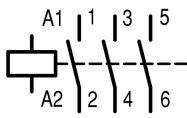




Contactor, 3 pole, 380 V 400 V: 4 kW, 24 V DC, DC operation, Screw terminals

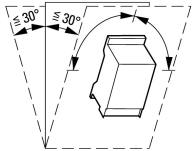
Part no. DILMT9(RDC24)
Catalog No. 190978
EL-Nummer (Norway) 4100420

Delivery program

| | | | |
|---|----------------|----|---|
| Product range | | | Contactors |
| Application | | | Contactors for Motors |
| Subrange | | | Contactors up to 95 A, 3 pole |
| Utilization category | | | AC-1: Non-inductive or slightly inductive loads, resistance furnaces AC-3/AC-3e: Normal AC induction motors: Starting, switching off while running AC-4: Normal AC induction motors: starting, plugging, reversing, inching |
| Notes | | | Also suitable for motors with efficiency class IE3. |
| Connection technique | | | Screw terminals |
| Number of poles | | | 3 pole |
| Rated operational current | | | |
| AC-3 | | | |
| Notes | | | Also tested according to AC-3e. |
| 380 V 400 V | I_e | A | 9 |
| AC-1 | | | |
| Conventional free air thermal current, 3 pole, 50 - 60 Hz | | | |
| Open | | | |
| at 40 °C | $I_{th} = I_e$ | A | 20 |
| Max. rating for three-phase motors, 50 - 60 Hz | | | |
| AC-3 | | | |
| 220 V 230 V | P | kW | 2.5 |
| 380 V 400 V | P | kW | 4 |
| Contact sequence | | |  |
| Can be combined with auxiliary contact | | | DILT-XHI... |
| Actuating voltage | | | 24 V DC |
| Voltage AC/DC | | | DC operation |
| Connection to SmartWire-DT | | | no |
| Instructions | | | Integrated varistor suppressor circuit. |
| Frame size | | | 1 |

Technical data

| | | | |
|---------------------------------|--------------|---------------|--|
| General | | | |
| Standards | | | IEC/EN 60947, GB14048, EN60335-1 |
| Lifespan, mechanical | | | |
| DC operated | Operations | $\times 10^6$ | 10 |
| AC-3 | Operations | $\times 10^6$ | 1 |
| AC-4 | Operations | $\times 10^6$ | 0.1 |
| Operating frequency, mechanical | | | |
| DC operated | Operations/h | | 3600 |
| Climatic proofing | | | Damp heat, constant, to IEC 60068-2-78 Damp heat, cyclic, to IEC 60068-2-30 |
| Ambient temperature | | | |
| Open | | °C | -25 - +55 |
| Storage | | °C | - 40 - 80 |

| | | | |
|--|--|-----------------|---|
| Mounting position | | |  |
| Degree of Protection | | | IP20 |
| Weight | | | |
| DC operated | | kg | 0.18 |
| Screw connector terminals | | | |
| Terminal capacity main cable | | | |
| Solid | | mm ² | 1 x (0.75 - 2.5) 2 x (0.75 - 2.5) |
| Stranded | | mm ² | 1 x (0.75 - 2.5) 2 x (0.75 - 2.5) |
| Stripping length | | mm | 14 |
| Terminal screw | | | M3.5 |
| Tightening torque | | Nm | 0.8 |
| Tool | | | |
| Pozidriv screwdriver | | Size | 2 |
| Terminal capacity control circuit cables | | | |
| Solid | | mm ² | 1 x (0.75 - 2.5) 2 x (0.75 - 2.5) |
| Terminal screw | | | M3.5 |
| Tightening torque | | Nm | 0.8 |
| Tool | | | |
| Pozidriv screwdriver | | Size | 2 |

Main conducting paths

| | | | |
|---------------------------------------|-----------|------|-------|
| Rated impulse withstand voltage | U_{imp} | V AC | 6000 |
| Overtoltage category/pollution degree | | | III/3 |
| Rated insulation voltage | U_i | V AC | 690 |
| Rated operational voltage | U_e | V AC | 660 |
| Breaking capacity | | | |
| 380 V 400 V | | A | 72 |

AC

| | | | |
|---|----------------|-----|---------------------------------|
| AC-1 | | | |
| Rated operational current | | | |
| Conventional free air thermal current, 3 pole, 50 - 60 Hz | | | |
| Open | | | |
| at 40 °C | $I_{th} = I_e$ | A | 20 |
| AC-3 | | | |
| Rated operational current | | | |
| Open, 3-pole: 50 – 60 Hz | | | |
| Notes | | | Also tested according to AC-3e. |
| 220 V 230 V | I_e | A | 9 |
| 240 V | I_e | A | 9 |
| 380 V 400 V | I_e | A | 9 |
| Motor rating | P | kWh | |
| 220 V 230 V | P | kW | 2.5 |
| 380 V 400 V | P | kW | 4 |

Magnet systems

| | | | |
|--|--|----|---------|
| Changeover time at 100 % U_S (recommended value) | | | |
| Main contacts | | | |
| DC operated | | ms | |
| Closing delay | | ms | 56 - 64 |
| Opening delay | | ms | 18 - 25 |

Design verification as per IEC/EN 61439

| | | | |
|--|--|----|-----|
| Technical data for design verification | | | |
| Operating ambient temperature min. | | °C | -25 |
| Operating ambient temperature max. | | °C | 55 |

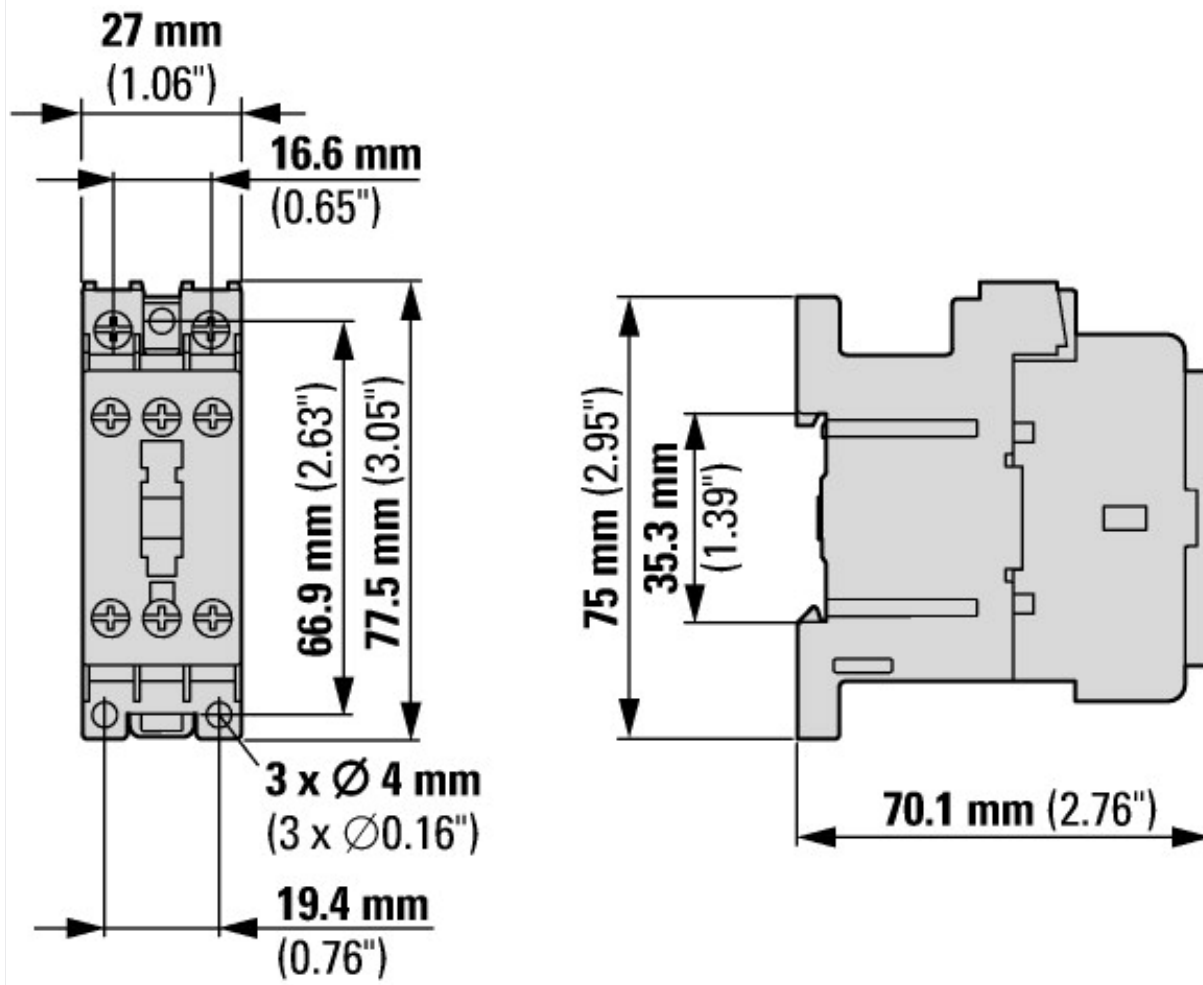
Technical data ETIM 7.0

| | | | |
|---|--|----|------------------|
| Low-voltage industrial components (EG000017) / Power contactor, AC switching (EC000066) | | | |
| Electric engineering, automation, process control engineering / Low-voltage switch technology / Contactor (LV) / Power contactor, AC switching (ecl@ss10.0.1-27-37-10-03 [AAB718015]) | | | |
| Rated control supply voltage Us at AC 50HZ | | V | 0 - 0 |
| Rated control supply voltage Us at AC 60HZ | | V | 0 - 0 |
| Rated control supply voltage Us at DC | | V | 24 - 24 |
| Voltage type for actuating | | | DC |
| Rated operation current Ie at AC-1, 400 V | | A | 20 |
| Rated operation current Ie at AC-3, 400 V | | A | 9 |
| Rated operation power at AC-3, 400 V | | kW | 4 |
| Rated operation current Ie at AC-4, 400 V | | A | 0 |
| Rated operation power at AC-4, 400 V | | kW | 0 |
| Rated operation power NEMA | | kW | 0 |
| Modular version | | | No |
| Number of auxiliary contacts as normally open contact | | | 0 |
| Number of auxiliary contacts as normally closed contact | | | 0 |
| Type of electrical connection of main circuit | | | Screw connection |
| Number of normally closed contacts as main contact | | | 0 |
| Number of main contacts as normally open contact | | | 3 |

Approvals

| | | | |
|--------------------------------------|--|--|----|
| Specially designed for North America | | | No |
|--------------------------------------|--|--|----|

Dimensions



3 x M4

9.7 mm
(0.38")

19.4 mm
(0.76")

66.8 mm (2.63")

